

KONTI X 275 Baler

J-Series



Kadant PAAL's Konti X channel baler features high throughput and bale weights with low energy consumption.

Kadant PAAL was founded in 1854 in Osnabrück, Germany. Since its introduction of the first continuously operated horizontal baler in 1960, PAAL has delivered more than 31,000 machines and today is the #1 channel baler manufacturer in Europe.

KONTI X J-Series Baler Overview



Features

- Additional horizontal tying system for difficult materials
- Optimised knife, stamper, and channel design
- Modern axial piston pumps with low drive power
- Advanced positional ram measurement system
- Large door at rear section of baler
- Improved app-oriented operator interface and PLC with remote maintenance



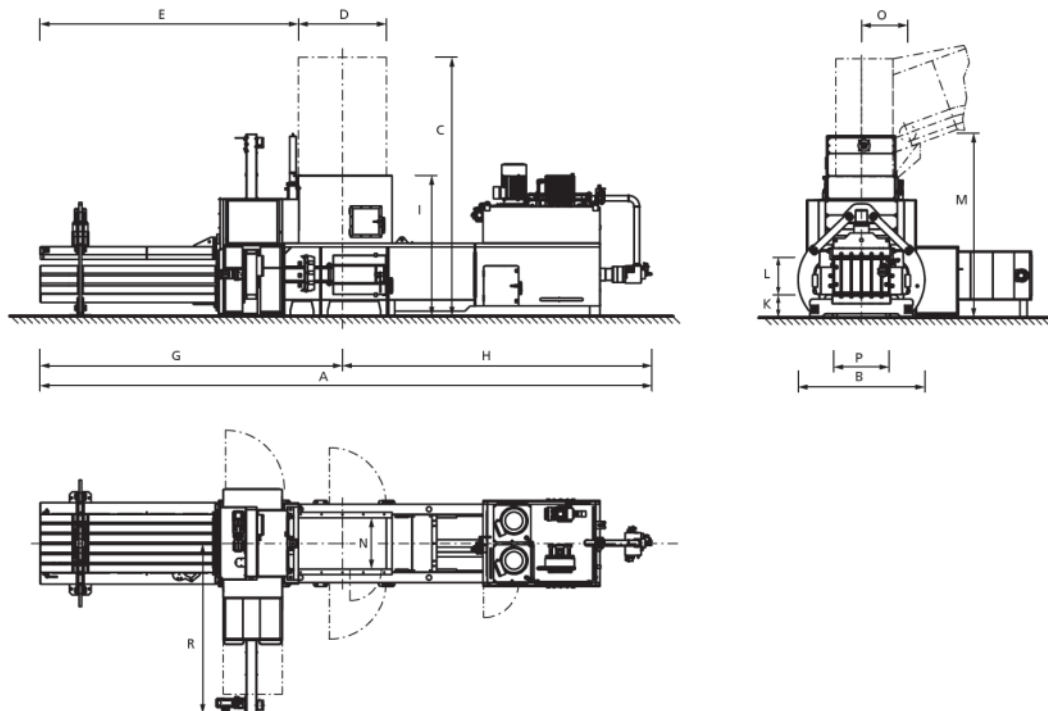
Benefits

- High throughput and bale weights
- Low energy consumption
- Simple operation and maintenance
- Low total cost of ownership

PAAL®

Technical Data and Measurements

KONTI X 275 Baler J-Series							
Pressing force	t (kN)	82 (802)					
Spec. pressing force	N/cm ²	97					
Hydraulic reference pressure	Bar	315					
Tunnel cross section H x W	cm	75 x 110					
Hopper opening	cm	160 x 102					
Feeding volume	ca.m ³	2.0					
Number of wires (Vertical / Horizontal)	pieces	5 / 3					
Driving power	kW	37	45	55	75	2 x 37	2 x 45
Hydraulic pump flow	L/min	260	260	420	420	2 x 260	2 x 260
Oil reservoir capacity	L	757	757	1250	1250	1250	1250
Maximum performance without material	max.m ³ /h	415	415	611	611	720	720
Press Capacity (Weight)							
• 15 kg/m ³ (e.g. foil)	ca.t/hr	4	4	6	6	7	7
• 35 kg/m ³ (e.g. flattened OCC)	ca.t/hr	9	10	13	15	16	17
• 60 kg/m ³ (e.g. mixed paper)	ca.t/hr	15	16	21	24	26	28
• 80 kg/m ³ (e.g. mixed paper)	ca.t/hr	18	20	26	30	32	35
• 100 kg/m ³ (e.g. newspaper, magazines)	ca.t/hr	22	24	31	35	37	40
Baler weight (dependent on options)	tonnes	27					
Sound level without material at 1 m distance	dB(A)	< 85					



A*	B	C	D	E*	G*	H*	I	K	L	M	N	O	P	R
11005	2230	5150	1600	4432	5232	5773	2800	450	750	3670	1020	860	1100	3388

Dimensions are in millimeters. *Maximum length for specified hopper opening, different channel length available.

Specifications are for reference only and subject to change.