

KONTI H 700 Baler

J-Series



Kadant PAAL's KONTI H automatic channel baler represents tried and tested top quality. The KONTI H baler provides high loading levels in continuous operation at maximum effectivity. Its robust construction and high pressing forces of 120 to 200 tonnes provide trusted reliability.

Today's Kadant PAAL GmbH was founded as the PAAL printing works in 1854 in Osnabrück, Germany before concentrating on manufacturing balers in 1906 since when it has delivered more than 31,000 machines. PAAL launched the first continuously operated horizontal baler in 1960 and today is firmly established as the #1 channel baler manufacturer in Europe.

KONTI H J-Series Baler Overview



Features

- Optimised knife, stamper, and channel design
- Modern axial piston pumps with low drive power
- Advanced positional ram measurement system
- Interchangeable bolted wear plates at press chamber walls and ram cover
- Larger door at rear section of baler
- Improved app-oriented operator interface and PLC with remote maintenance



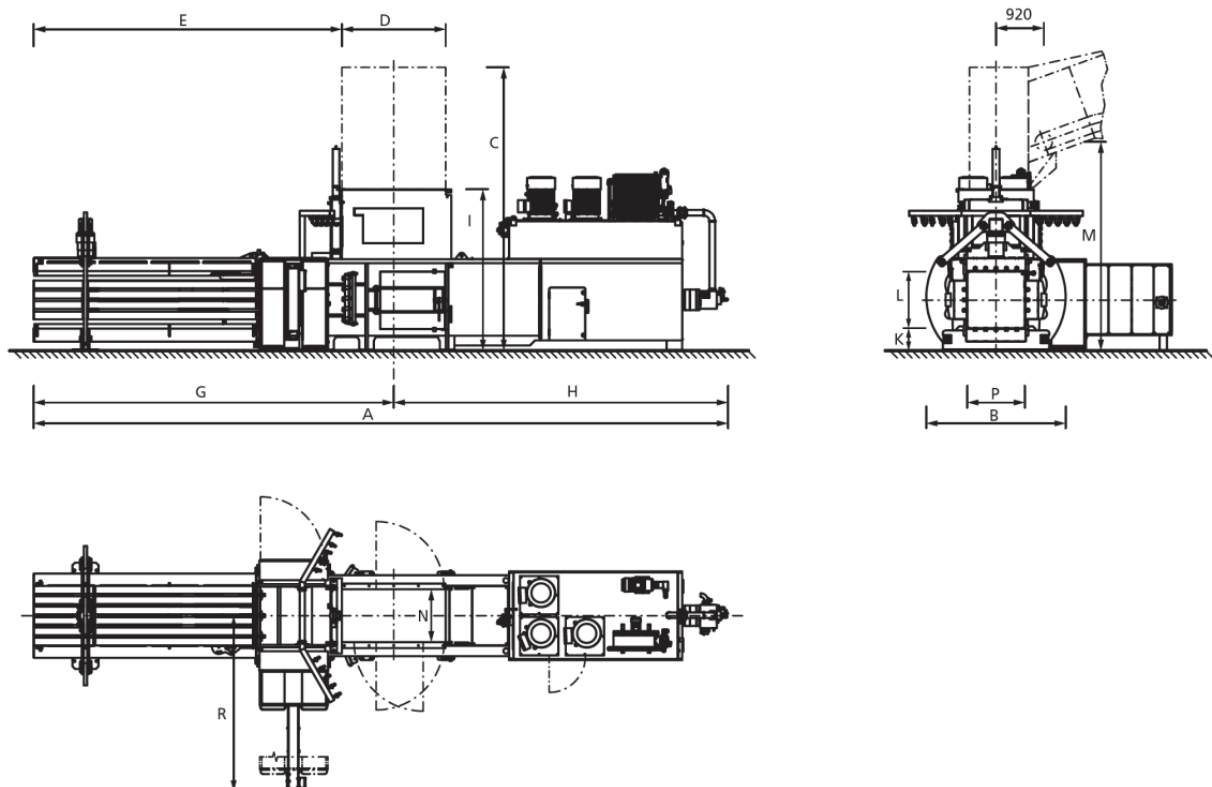
Benefits

- High throughput and bale weights
- Low energy consumption
- Simple operation and maintenance
- Low total cost of ownership

PAAL®

Technical Data and Measurements

KONTI H 700 Baler J-Series								
Pressing force	t (kN)	198 (1940)						
Spec. pressing force	N/cm ²	160						
Hydraulic reference pressure	bar	315						
Tunnel cross section H x W	cm	110 x 110						
Hopper opening	cm	200 x 102						
Feeding volume	ca. m ³	3,45						
Number of wires	pieces	5						
Driving power	kW	2 x 45	2 x 55	2 x 75	3 x 55	3 x 75	4 x 55	4 x 75
Hydraulic pump flow	l/min	2 x 260	2 x 420	2 x 420	3 x 420	3 x 420	4 x 420	4 x 420
Oil reservoir capacity	l	1250	2100	2100	3100	3100	4000	4000
Maximum performance without material	m ³ /h	518	777	777	1071	1071	1323	1323
Press Capacity (Weight)								
• 15 kg/m ³ (e.g. foil)	ca. t/hr	5	7	8	10	12	13	15
• 35 kg/m ³ (e.g. flattened OCC)	ca. t/hr	12	17	19	24	27	30	33
• 60 kg/m ³ (e.g. mixed paper)	ca. t/hr	21	28	32	39	44	49	54
• 80 kg/m ³ (e.g. mixed paper)	ca. t/hr	26	35	40	49	56	61	69
• 100 kg/m ³ (e.g. newspaper, magazines)	ca. t/hr	32	42	48	58	66	71	80
Baler weight (dependent on options)	tonnes	56						
Sound level without material at 1 m distance	dB(A)	< 85						



A	B	C	D	E	G	H	I	K	L	M	N	P	R
14895	2800	5465	2000	7332	8332	6563	3115	435	1100	3950	1020	1100	3390

Dimensions are in millimeters.

Specifications are for reference only and subject to change.