



CE2000

STATIC WASTE COMPACTOR

CE Range

The range of CE waste compactors are ideally suited for compacting materials such as dry industrial and commercial general waste, cardboard, plastic packaging, timber and recyclables.

Each has been designed to ensure you achieve maximum performance and reliability, with ease of operation.

Special FEATURES of the CE Range :

- High Efficiency Power Packs
- Low Noise Gear Pumps
- Remote Monitoring System (RMS)
 - Text and Email Notification of Machine Status (Variable Filling Level Notification, Full Message and Machine Fault Status)
 - Remote Diagnostic Functionality (back at Kadant PAAL Factory)
 - Intelligent Service Scheduling, Via Hours Run
 - Machine Identification & Location (allowing multiple machines at same site)
 - Monitoring of Hydraulic Oil Levels and Leak Detection
 - Hydraulic Oil Overheat and Shut Down Facility

KADANT PAAL LIMITED IS THE UK'S LEADING MANUFACTURER AND SUPPLIER OF WASTE COMPACTORS AND BALING EQUIPMENT.

DİCOM

BENEFITS :

- Lower Electricity Costs
- Increased Performance in Compaction, Due to Intelligent Electronics and Hydraulics
- Fewer Vehicle Movements/Collections Thanks to Improved Full Level
- Enhanced Maintenance and Housekeeping Accessibility
- Reduced Noise Levels
- Lower Maintenance Costs
- Maximum Payloads

OPTIONAL EQUIPMENT :

- Hydraulic Tipper System with Galvanised Safety Cage (Side or Rear Loading)
- Other loading configurations available
- Choice of Colours

SAFETY :

All Dicom Brand products are designed and manufactured with operator safety our highest priority.

Each compactor comes fully compliant to all current Safety Standards and CE Marked.

During installation full safety and certified operator training is provided by our highly experienced installation and service engineers.

Equipment is supplied with the following standard safety features :

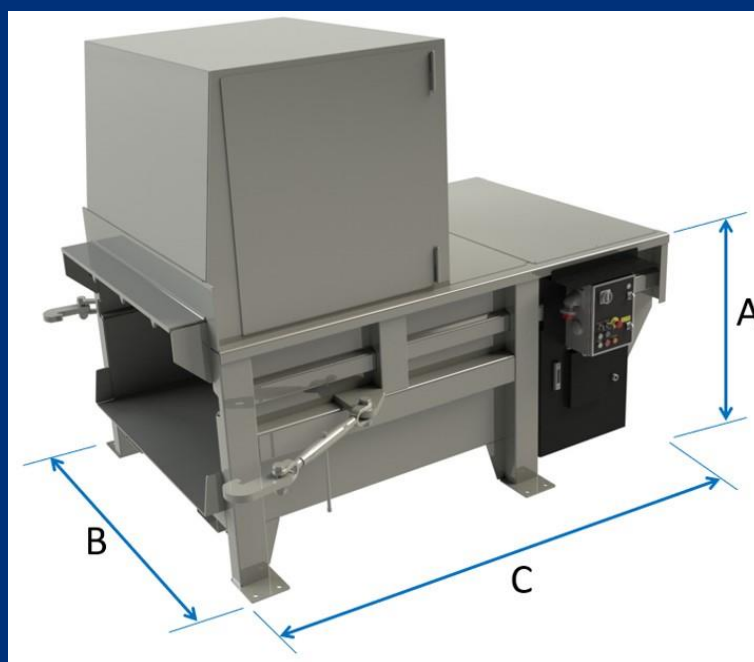
- Emergency Stop
- 24 Volt controls
- Dual safety switches
- Dual channel safety relays
- Operator manuals supplied

Technical Data and Measurements

Compaction Force (Tonnes)	32	Blade Penetration (mm)	320
Cycle Time (Seconds)	38	Charge Box Volume (m ³)	1.5
Volume Per Hour (m ³)	142	Motor Size	5.5 kW
Top Opening (mm)	1500 x 1200	Ram Depth (mm)	736
Electrical Supply Requirements	415V, 3-phase with neutral and earth. 16A phase supply		

Dimensions in mm

A Overall Minimum Height (excluding feed hopper/chute)			1215
B Overall Minimum Width	2020	C Overall Length	2720



www.kadantpaal.com

DICOM